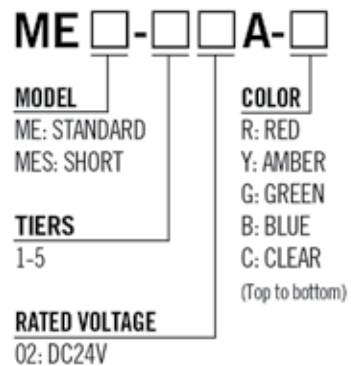


HOW TO ORDER



ME & MES Series

Body height	PNP/NPN	IP Protection	Voltage	Stacks	Models
200mm	NPN	42	24VDC	1 - light 2 - light 3 - light 4 - light 5 - light	ME-102A-R ME-202A-RG ME-302A-RYG ME-402A-RYGB ME-502A-RYGBC
200mm	PNP	65	24VDC	1 - light 2 - light 3 - light 4 - light 5 - light	ME-102P-R+FB123 ME-202P-RG+FB123 ME-302P-RYG+FB123 ME-402P-RYGB+FB123 ME-502P-RYGBC+FB123
40mm	NPN	42	24VDC	1 - light 2 - light 3 - light 4 - light 5 - light	MES-102A-R MES-202A-RG MES-302A-RYG MES-402A-RYGB MES-502A-RYGBC
40mm	PNP	65	24VDC	1 - light 2 - light 3 - light 4 - light 5 - light	MES-102P-R+FB123 MES-202P-RG+FB123 MES-302P-RYG+FB123 MES-402P-RYGB+FB123 MES-502P-RYGBC+FB123

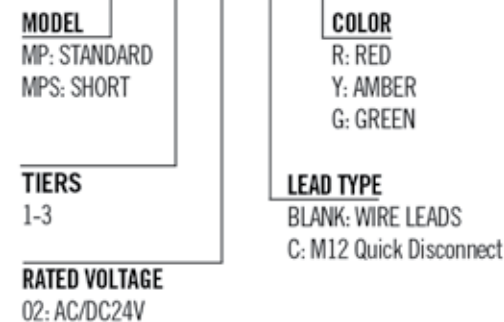
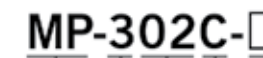
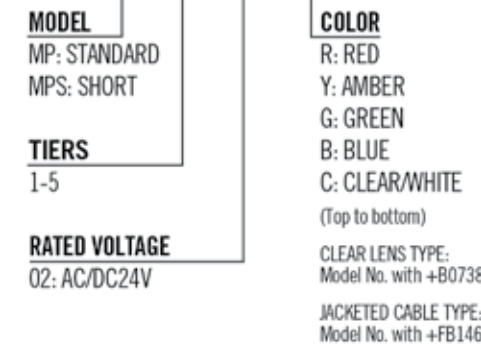
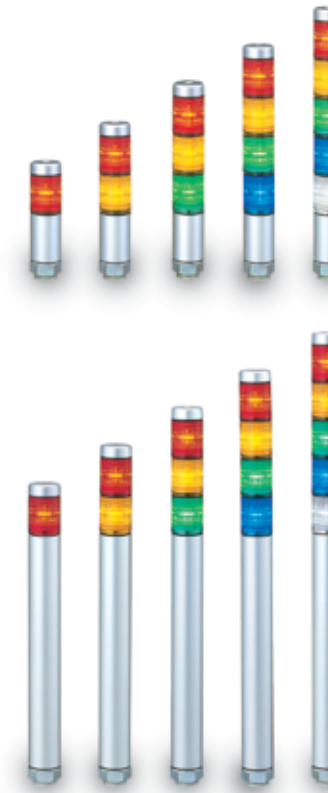
OPTIONS

L angle metal bracket for wall mount	SZ-013
--------------------------------------	--------

SPARE PARTS

	PNP/NPN	Lens color	Voltage	LED color	Part Numbers
LED MODULES	NPN	CLEAR	24VDC	RED	B72100223-1F1
		CLEAR	24VDC	AMBER	B72100223-2F1
		CLEAR	24VDC	GREEN	B72100115-3F1
		CLEAR	24VDC	BLUE	B72100115-4F1
		CLEAR	24VDC	WHITE	B72100115-7F1
LED MODULES	PNP	CLEAR	24VDC	RED	B72100226-1F1
		CLEAR	24VDC	AMBER	B72100226-2F1
		CLEAR	24VDC	GREEN	B72100135-3F1
		CLEAR	24VDC	BLUE	B72100135-4F1
		CLEAR	24VDC	WHITE	B72100135-7F1

Center Screws	Part Numbers
1-tier center screw for ME/MES	S33552110-0346F1
2-tier center screw for ME/MES	S33552110-0376F1
3-tier center screw for ME/MES	S33552110-03108F1
4-tier center screw for ME/MES	S33552110-03138F1
5-tier center screw for ME/MES	S33552110-03168F1



MP & MPS Series

Body height	PNP/NPN	IP Protection	Voltage	Stacks	Models
220mm	PNP/NPN	65	24VDC/AC	1 - light 2 - light 3 - light 4 - light 5 - light	MP-102-R MP-202-RG MP-302-RYG MP-402-RYGB MP-502-RYGBC
220mm	PNP/NPN	65	24VDC/AC	1 - light 2 - light 3 - light 4 - light 5 - light	MP-102-R+B0738 MP-202-RG+B0738 MP-302-RYG+B0738 MP-402-RYGB+B0738 MP-502-RYGBC+B0738
45mm	PNP/NPN	65	24VDC/AC	1 - light 2 - light 3 - light 4 - light 5 - light	MPS-102A-R MPS-202A-RG MPS-302A-RYG MPS-402A-RYGB MPS-502A-RYGBC
45mm	PNP/NPN	65	24VDC/AC	1 - light 2 - light 3 - light 4 - light 5 - light	MPS-102-R+B0738 MPS-202-RG+B0738 MPS-302-RYG+B0738 MPS-402-RYGB+B0738 MPS-502-RYGBC+B0738
220mm	PNP/NPN	65	24VDC/AC	1 - light 2 - light 3 - light	MP-102C-R MP-202C-RG MP-302C-RYG
45mm	PNP/NPN	65	24VDC/AC	1 - light 2 - light 3 - light	MPS-102C-R+FB247 MPS-202C-RG+FB247 MPS-302C-RYG+FB247

OPTIONS

Add-on buzzer (comes on with Red LED)	MP-B
Add-on buzzer (comes on independently - special order)	MP-B+FB216
3/4 inch NPT adaptor	SZ-904
221mm extension pole	SZ-150
L angle metal bracket for wall mount	SZ-013

SPARE PARTS

	Lens color	Voltage	LED color	Part Numbers
LED MODULES	RED	24VDC/AC	RED	B72100182-1F1
	AMBER	24VDC/AC	AMBER	B72100182-2F1
	GREEN	24VDC/AC	GREEN	B72100182-3F1
	BLUE	24VDC/AC	BLUE	B72100182-4F1
	WHITE	24VDC/AC	WHITE	B72100182-7F1
LED MODULES	CLEAR	24VDC/AC	RED	B72100192-1F1
	CLEAR	24VDC/AC	AMBER	B72100192-2F1
	CLEAR	24VDC/AC	GREEN	B72100192-3F1
	CLEAR	24VDC/AC	BLUE	B72100192-4F1

Center Screws	Part Numbers
1-tier center screw for MP/MPS	S33552120-0355F1
2-tier center screw for MP/MPS	S33552120-0390F1
3-tier center screw for MP/MPS	S33552120-03125F1
4-tier center screw for MP/MPS	S33552120-03160F1
5-tier center screw for MP/MPS	S33552120-03195F1